

Little Ivy League "LIL" Preschool Conditional Use Application Business Description

Applicant: Jennifer Zheng, 3728 Appian Street, Pleasanton, CA 94588

Proposed School Location: 4160 Hacienda Drive, Suite 100, Pleasanton, CA 94588

Summary: The Little Ivy League (LIL) is a California non-profit corporation. It currently operates a "Heritage School" at 4160 Hacienda Drive offering academic and Chinese culture enrichment classes to elementary school students and tutoring services to middle school students. It is LIL's desire to open a day care center for preschool children at the proposed location.

The building located at 4160 Hacienda Drive is a commercial standalone building (total 23,168 square feet) that is owned by Balch Enterprise, consists of two units: Suit 100 of 15,934 square feet and Suite 200 of 7,234 square feet.

In this petition, LIL seeks a CUP for its Preschool operations in Suit 200 at 4160 Hacienda Drive with a maximum capacity of 120 students. Concurrently with this application, LIL also submits a separate petition to amend CUP # P11-0938, the CUP currently in effect with respect to 4160 Hacienda Drive for its Heritage School, proposing to reduce its Heritage School capacity to 180 and to limit the Heritage School operations to Suite 100.

LIL Preschool will be a fully licensed day care centers center. In compliance with the regulations governing the licensed day care centers in California, LIL Preschool will be staffed with no less than a ratio of 1:8. LIL proposes a maximum capacity for 120 children at this center. As such, there will be maximum 12 care staff and 3 administrative staff for the LIL Preschool operations running at its maximum capacity.

LIL will comply with all the statutory and regulatory requirements concerning the physical site plan and staff qualifications imposed and enforced by the California community-licensing agency. LIL Preschool will obtain and maintain the required childcare license to start and maintain its operations.

Facility

The proposed facility is at 4160 Hacienda Drive. This is a 23,168 square feet stand-alone building, divided into Suite 100 of 15,934 square feet for heritage school and Suite 200 of 7,234 square feet for preschool. The facility also includes 10,000 square feet green areas, and an outdoor patio area. 3,450 square feet of the green area and outdoor patio will be used as outdoor playgrounds for LIL Preschool.

A floor plan and a site plan are attached as Exhibit 1 hereto, showing the spaces devoted for LIL Preschool and its reception area, administration office, classrooms, and storage and outside playgrounds (Playgrounds B1 & B2).

Hours:

With the extended care program, the LIL Preschool Child Care Center operates from 7:00 a.m. to 7:00 p.m. daily, Monday to Friday.

7:00 a.m. to 8:00 a.m.: Extended Care

8:00 a.m. to 6:30 p.m.: Day Care

6:30 p.m. to 7:00 p.m.: Extended Care

Programs:

LIL Preschool offers modified Montessori based preschool programs for Toddlers up to the Kindergarten ages. The programs are by the age group:

Pre-K 2-Year Old: This group has 2-year olds to 3-year olds. At this age, teachers will have students begin experimenting, and interacting with other children and the environment. More routine and structure are introduced into the daily schedule. Students will start to learn how to find uses for familiar objects, and how to explain everyday occurrences using simple reasoning.

Pre-K 3-Year Olds: This group is for 3-year olds to 4-year olds. Three-year-olds are more secure, and ready for a higher level of challenge. In this group, a series of fun and learning activities are designed to continue to instill students with the knowledge and skills necessary to succeed at the next level. Skills learned during



Yang Fan Academy

After-School • Summer Camp

www.yfacademy.org

this period include recognizing letter names, catching a bounced ball and beginning to understand the concept of yesterday, today and tomorrow.

Preschool/Kindergarten: This is for 4 to 6 years olds. Pre-K students will learn letter-sound relationships, how to sound out unfamiliar words, and how to read and recognize sight words. They will learn match concepts such as greater than, less than and equal to, and their number sense will grow. Pre-K students will also learn to make predictions based on prior knowledge, delve into traditions of other cultures, and will learn to write all uppercase and lowercase letters.

Our Kindergarten program¹ includes foundational literacy and math skills derived from the Common Core State Standards. Teachers will give students the strong foundation they need for future success. Our well-rounded curriculum builds sound reading, writing, and math and problem-solving skills. Some of the skills acquired at this level include creating and interpreting data in bar and pie charts, counting by 5s and 10s, and matching familiar spoken words to written words.

The chart below shows the schedule, classroom/student distribution for LIL Preschool:

//
//
//
//
//

¹ Distinct from the Kindergarten program in Heritage School where the kindergarteners would be picked up and transported to our Heritage School after they are dismissed from the public schools. The Kindergarten program in LIL Preschool admits kindergarteners from full day from 8:00 a.m. to 7:00 p.m. Kindergartners under these two different programs will be in separate rooms and taught and looked after by difference staff teachers.



Yang Fan Academy

After-School - Summer Camp

www.yfacademy.org

Daily Schedule During for Preschool Students

Time	Activities	Class Room/Number of Students (maximum 120 students)	Teachers
8:00-9:00	Drop off & Games	Classroom 2 (24 Pre-K 2-Yr Olds); Classroom 3 (6 Pre-K 2-Yrs Olds); Classroom 4 (32 Pre-K 3-Yr Olds); Classroom 6 (12 Pre-K 3-Yr Olds); Classroom 8 (46 Preschool/Kindergarten students)	Staff Teachers
9:00-9:30	Snack Time	Classroom 2 (24 Pre-K 2-Yr Olds); Classroom 3 (6 Pre-K 2-Yrs Olds); Classroom 4 (32 Pre-K 3-Yr Olds); Classroom 6 (12 Pre-K 3-Yr Olds); Classroom 8 (46 Preschool/Kindergarten students)	Staff Teachers
9:30-10:30	Classes	Classroom 2 (12 Pre-K 2-Yr Olds); Classroom 4 (20 Pre-K 3-Yr Olds); Classroom 8 (40 Preschool/Kindergarten students)	Staff Teachers
	Outdoor Play	Playground B1 (12 Pre-k 2-Yr Olds) & Playground B2 (50 students)	
10:30-11:30	Classes	Classroom 2 (12 Pre-K 2-Yr Olds); Classroom 4 (20 Pre-K 3-Yr Olds); Classroom 8 (40 Preschool/Kindergarten students)	Staff Teachers
	Outdoor Play	Playground B1 (12 Pre-k 2-Yr Olds) & Playground B2 (50 students)	
11:30-12:15	Story Time & Games	Classroom 2 (24 Pre-K 2-Yr Olds); Classroom 3 (6 Pre-K 2-Yrs Olds); Classroom 4 (32 Pre-K 3-Yr Olds); Classroom 6 (12 Pre-K 3-Yr Olds); Classroom 8 (46 Preschool/Kindergarten students)	Staff Teachers
12:15-1:00	Lunch	Classroom 2 (24 Pre-K 2-Yr Olds); Classroom 3 (6 Pre-K 2-Yrs Olds); Classroom 4 (32 Pre-K 3-Yr Olds); Classroom 6 (12 Pre-K 3-Yr Olds); Classroom 8 (46 Preschool/Kindergarten students)	Staff Teachers
1:00-2:30	Nap	Classroom 2 (24 Pre-K 2-Yr Olds); Classroom 3 (6 Pre-K 2-Yrs Olds); Classroom 4 (32 Pre-K 3-Yr Olds); Classroom 6 (12 Pre-K 3-Yr Olds); Classroom 8 (46 Preschool/Kindergarten students)	Staff Teachers
2:30-3:30	Classes	Classroom 2 (12 Pre-K 2-Yr Olds); Classroom 4 (20 Pre-K 3-Yr Olds); Classroom 8 (40 Preschool/Kindergarten students)	Staff Teachers
	Outdoor Play	Playground B1 (12 Pre-k 2-Yr Olds) & Playground B2 (50 students)	
3:30-4:30	Classes	Classroom 2 (12 Pre-K 2-Yr Olds); Classroom 4 (20 Pre-K 3-Yr Olds); Classroom 8 (40 Preschool/Kindergarten students)	Staff Teachers
	Outdoor Play	Playground B1 (12 Pre-k 2-Yr Olds) & Playground B2 (50 students)	
4:30-5:30	Classes	Classroom 2 (24 Pre-K 2-Yr Olds); Classroom 3 (6 Pre-K 2-Yrs Olds); Classroom 4 (32 Pre-K 3-Yr Olds); Classroom 6 (12 Pre-K 3-Yr Olds); Classroom 8 (46 Preschool/Kindergarten students)	Staff Teachers
5:30-6:30	Classes/Indoor Games	Classroom 2 (24 Pre-K 2-Yr Olds); Classroom 3 (6 Pre-K 2-Yrs Olds); Classroom 4 (32 Pre-K 3-Yr Olds); Classroom 6 (12 Pre-K 3-Yr Olds); Classroom 8 (46 Preschool/Kindergarten students)	Staff Teachers
6:30-7:00	Supervised Indoor Play	Classroom 2 (24 Pre-K 2-Yr Olds); Classroom 3 (6 Pre-K 2-Yrs Olds); Classroom 4 (32 Pre-Yr Olds); Classroom 6 (12 Pre-K 3-Yr Olds); Classroom 8 (46 Preschool/Kindergarten students)	Staff Teachers

Outdoor Playgrounds

There are two outdoor playgrounds dedicated to LIL Preschool—Playground B1 and Playground B2. Students will play at outdoor playground twice a day; and divided into 60 students each group rotating for the use of the playgrounds.

Traffics:

All students will be dropped off and picked up by parents; and there will no pickups by LIL Preschool.

The current CUP allows maximum capacity of 300 students or heritage students. If approved, there will be maximum 120 students for LIL Preschool and 180 students for LIL Heritage School. There will be around 50% of the Preschool students who are siblings of those who are already attending Yang Fan Heritage School.

As such, with the total capacity of 300 students for the entire site at 4160 Hacienda unchanged, LIL Preschool will not significantly change the traffic volumes at the peak hours.

The following chart shows the projected traffics for the entire sites including LIL Preschool and LIL Heritage School during the school year:

Traffic Analysis for 4160 Hacienda (Monday to Friday):

Hours:	Preschool Maximum Car-Trips (Based on maximum 120 students)	Heritage School Maxim Car-Trips (Based on maximum 180 students) for Entire Site	Total Car-Trips
7:00-8:00	94 car trips ²	NA	94 car trips
8:00 -9:00	94 car trips ³	NA	94 car trips
9:00-11:30	5 car trips ⁴	6 car trips ⁵	11 car trips

² It is anticipated approximately 1/2 of the Preschool students (60) will be attending LIL Preschool on a full time basis. The rest 30 will be attend the morning session and another 30 will attend the afternoon session. It is also anticipated that 1/2 of the 90 Preschool Students (60 full time and 30 morning students) would be enrolled in the extended care package which allow parents to drop their kids at 7:00 a.m. in the morning. So 90 car trips (45 vehicles) will be generated when parents drive in to drop off the children and leave the building plus 4 car trips for teachers reporting to work.

³ It is anticipated the other 1/2 of the full time and morning students (45) will be dropped off, generating 90 inbound and outbound outgoing car trips by parents; plus 4 incoming car trips by Preschool staff coming to work.

⁴ During these hours, no major traffic is anticipated from the preschool side, except 5 car trips for picking up of the sick students and/or departure of a sick staff.

⁵ 2 Heritage School administrative staff reporting to work and 4 in-coming drivers to change to the school vans to pick up students.

Yang Fan Academy

After-School • Summer Camp

www.yfaacademy.org

Hours:	Preschool Maximum Car-Trips (Based on maximum 120 students)	Heritage School Maxim Car-Trips (Based on maximum 180 students) for	Total Car-Trips Entire Site
11:45-12:00	NA	11 car Trips ⁶	11 car trips
12:30-1:00	60 car trips ⁷	NA	60 car trips
1:00-1:15	NA	5 car trips ⁸	5 car trips
2:00-2:30	60 car trips ⁹	NA	60 car trips
3:15-3:30	NA	21 car Trips ¹⁰	21 car trips
3:30-6:30	5 car trips ¹¹	5 car trips ¹²	10 car trips
6:30	99 car trips ¹³	NA ¹⁴	99 car trips
6:40-6:45	50 car trips ¹⁵	96 car trips ¹⁶	146 car trips

⁶ 8 out-going and in-coming car trips for estimated approximately 4 15-passenger van trips transporting and dropping off maximum 50 kindergarteners, plus 3 in-coming cars by teachers reporting to work.

⁷ During the lunch hours, 30 students attending morning session of Preschool will be picked up by the parents, generating 30 incoming car trips and 30 outgoing car trips.

⁸ 5 Chinese teachers arrive to teach Chinese Language Arts classes in Heritage School.

⁹ It is anticipated approximately 30 students attending afternoon session in Preschool will be dropped off, generating 60 incoming and outgoing car trips by parents.

¹⁰ 20 outgoing and in-coming car trips for estimated 10 15-passenger vans transporting and dropping off maximum 130 G1 to G7 elementary and middle school students, plus one incoming car trip by a Chinese teacher who had arrived at 1:00 p.m.

¹¹ During these hours, no major traffic is anticipated, except 5 car trips for picking up of the sick students and/or departure of a sick staff.

¹² During this period, Heritage School programs are in session, and thus there will be no major pick up activities. Only less than 5 car trips are anticipated for parents who pick up their kids earlier for illness, doctor appoints etc and departure of sick school staff, and one car trip out of the facility by a Chinese teacher at the end of this period.

¹³ One-half of 90 Preschool students attending after full time or afternoon program, i.e., 45 students, will be picked up at this time, generating 60 inbound and outbound car trips. In addition, there will 9 outbound car trips by half of the entire Preschool staff being relieved from the work. Anticipating that 50% of the Preschool students have a sibling attending LIL Heritage School programs, counts here include the 44 car-trips (for 22 Preschool students picked up at this hour) by parents who are picking up their children from Preschool and Heritage School.

¹⁴ Heritage School classes ends at 6:30 p.m. As such, it is anticipated that only those students who have siblings attending Pre-School will be picked at this time. The car trips picking up 22 students from Heritage School at this time are included in the counts for Preschool. See footnote 12.

¹⁵ One-half of the 45 remaining Preschool students, i.e., 23 Preschool students, will be picked up during this period, generating 46 inbound and outbound car trips. In addition, there will 4 outbound car trips by Preschool staff being relieved from the work. Anticipating that 50% of the Preschool students have a sibling attending LIL Heritage School programs, counts here include the car-trips (for 12 Preschool students picked up at this hour) by parents who are also picking up their children from Heritage School.

¹⁶ After 22 Heritage School students having been picked up with their Preschool siblings, there are 158 students remaining in Heritage School at this time. One-half of these 156 Heritage School students, i.e., 78 students, will be picked up during this period. Of these 78 students, it is anticipated that 12 students have a sibling attending Preschool School. See footnote 14. One-third of the remaining 66 (78-12) Heritage School students, i.e., 22, will car pool with other students who are their school age siblings or neighbors. As such, there will be 44 cars coming to pick the students, generating 88 inbound and outbound car trips. In addition, one-half of Heritage School teachers (8 teachers) will be released from work, generating 8 car trips.

Yang Fan Academy

After-School • Summer Camp

www.yfacademy.org

The following chart evaluates the traffics at the site during the summer:

Traffic Analysis for Summer Operations (Monday to Friday):

Hours:	Preschool Maximum Car-Trips (Maximum 80 students ¹⁹)	Heritage School Maxim Car-Trips (Maximum 150 students) for Entire Site	Total Car-Trips
7:00-8:00	62 car trips ²⁰	NA	62 car trips
8:00 – 9:00	64 car trips ²¹	42 car trips at the 4160 Hacienda ²²	106 car trips ²³
		91 car trips at Hart Middle School ²⁴	
9:00-10:00		91 car trips ²⁵	91 car trips

¹⁷ The last one-half of the 45 remaining Preschool students attending afternoon session, i.e., 23 Preschool students, will be picked up during this period, generating 46 inbound and outbound car trips. In addition, there will 4 outbound car trips by Preschool staff being relieved from the work. Anticipating that 50% of the Preschool students have a sibling attending LIL Heritage School programs, counts here include the car-trips (for 12 Preschool students picked up at this hour) by parents who are also picking up their children from Heritage School.

¹⁸ Of the remaining 78 students, it is anticipated that 12 students have a sibling attending Preschool School. See footnote 16. One-third of the remaining 66 (78-12) Heritage School students, i.e., 22, will car pool with other students who are their school age siblings or neighbors. As such, there will be 44 cars coming to pick the students, generating 88 inbound and outbound car trips. In addition, one-half of Heritage School teachers (8 teachers) will be released from work, generating 8 car trips.

¹⁹ It is anticipated that during the summer, 1/3 of the students will be withdrawn by their parents for vacation; and only 2/3 of the 120 capacity, i.e., 80 students, will remain in attendance for the summer. It is anticipated that out of 80 students attending summer session, 1/2 is for full time (40) and 1/4 (20) will attend the morning program and the other 1/4 (20) will attend the afternoon program. Therefore, there will be total 60 students attending Preschool in the morning and afternoon session, respective.

²⁰ It is anticipated that 1/2 of the full time and morning program Preschool students (total 60), i.e., 30 students, would be enrolled in the extended care package which allow parents to drop their kids at 7:00 a.m. in the morning. So 60 car trips will be generated when parents drop and leave the building plus 2 car trips for teachers reporting to work.

²¹ It is anticipated that the remaining 1/2 of the 60 Preschool students attending full time and morning program in the Preschool would be dropped off (60 car trips) plus 4 teachers will be in for work at this hour.

²² It is anticipated that Summer/Spring Break Camp for Heritage School will have 20 incoming Kindergarteners and 130 G 1 to G7 students. 20 Kindergarteners will be dropped off at 4160 Hacienda Drive site and play on the fenced Playground A on the premises, while G1 to G7 students will be dropped off at and play on the Hart Middle School sports field as previous years. As such, there will be approximately 20 vehicles by parents dropping off their Kindergartners, generating 40 incoming and outgoing car trips at 4160 Hacienda Drive site, plus 2 in-coming cars by Heritage School staff teachers reporting to work.

²³ For 4160 Hacienda Drive site only.

²⁴ Of the 130 G1 to G7 students, about 1/2 of them (i.e. 65) will be in at this time. Of the 65 students, 1/3 of them (i.e. 22) is siblings or neighbors and will be dropped off in carpools. As such, there will be approximately 43 vehicles by parents dropping off their students, generating 86 incoming and outgoing car trips at Hart's Middle School, plus 5 in-coming cars by Heritage School teachers reporting to work.

²⁵ The remaining 65 Heritage School students will be in directly to Hacienda site. 1/3 of them is siblings or neighbors and will be dropped off in carpools. As such, there will be approximately 43 vehicles by parents dropping off their students, generating 86 incoming and outgoing car trips at Hacienda drive site, plus 5 in-coming cars by Heritage School teachers reporting to work.

Yang Fan Academy

After-School • Summer Camp

www.yfacademy.org

Hours:	Preschool Maximum Car-Trips (Maximum 80 students ²⁶)	Heritage School Maxim Car-Trips (Maximum 150 students) for	Total Car-Trips Entire Site
10:00-12:30	5 car trips ²⁷	5 car Trips ²⁸	10 car trips
12:30-1:00	40 car trips ²⁹	10 car trips ³⁰	50 car trips
2:00-3:00	40 car trips ³¹	14 car trips ³²	54 car trips
3:00-6:30	5 car trips ³³	5 car trips ³⁴	10 car trips
6:30	64 car trips ³⁵	52 car trips ³⁶	116 car trips
Hours:	Preschool Maximum Car-Trips (Maximum 80 students ³⁷)	Heritage School Maxim Car-Trips (Maximum 150 students) for	Total Car-Trips Entire Site

²⁶ It is anticipated that during the summer, 1/3 of the students will be withdrawn by their parents for vacation; and only 2/3 of the 120 capacity, *i.e.*, 80 students, will remain in attendance for the summer. It is anticipated that out of 80 students attending summer session, 1/2 is for full time (40) and 1/4 (20) will attend the morning program and the other 1/4 (20) will attend the afternoon program. Therefore, there will be total 60 students attending Preschool in the morning and afternoon session, respective.

²⁷ During this period, normal Preschool programs are in session. No major drop-offs are expected, except less than 5 car trips for parents to pick up sick students or departure of a sick staff.

²⁸ During this period, various Heritage School programs are in session that are led and conducted by LIL Heritage School staff that came in earlier. No major drop-offs are expected, except less than 5 late students who are late.

²⁹ 20 morning part time Preschool students will be picked up by this hour, generating 40 incoming and outgoing car trips.

³⁰ 2 car trips for lunch delivery for lunch. 8 additional car trips are anticipated for parents to deliver lunches or take kids out for lunch and drop them off thereafter.

³¹ 20 afternoon part time Preschool students will be dropped off during this hour, generating 40 incoming and outgoing car trips.

³² In this period, there will be 14 car trips for 7 teachers who will come to teach 7 different classes on Chinese language arts at 2:00 p.m. and leave at 3:00 p.m.).

³³ During this period, normal Preschool programs are in session. No major drop-offs are expected, except less than 5 car trips for parents to pick up sick students or departure of a sick staff.

³⁴ During this hour, various Heritage School programs will be in session that will be led and conducted by LIL Heritage School staff that came in the morning. As such, no major traffic is anticipated, except 5 car trips for picking up of the sick students and/or departure of a sick staff.

³⁵ There are 40 full time and 20 afternoon part time Preschool students on site at this hour. 1/2 of them (*i.e.*, 30 students) will be picked up during this period, generating 60 inbound and outbound car trips. In addition, there will be 4 outbound car trips by 1/2 of the Preschool staff being relieved from the work. Anticipating that there will be 50% of the pre-school students having a sibling attending Heritage School programs, counts here include the 30 car-trips (for 15 Preschool students being picked up at this time) by parents who are also picking up their children from Heritage School.

³⁶ The instructions and structured activities of the day end at 6:30 p.m. At this time, 1/3 of students (*i.e.* 50 students) will be picked up. Of these 50 students, 15 students have a sibling attending Preschool School and are picked by parents together with their Preschool siblings. As such, Heritage School pick up traffics do not count for these 15 students. See footnote 33. Included in the Heritage School pick up traffic counts, approximately 11 students (*i.e.* one third of the remaining 35 students leaving at this time) will carpool with other students who are school age siblings or neighbors. As such, the will be total 24 vehicles coming to pick up students, generating 48 car trips. In addition, one-third of Heritage School teachers (4 teachers) will be released from work, generating 4 car trips. So total 52 car trips will be generated this hour.

³⁷ It is anticipated that during the summer, 1/3 of the students will be withdrawn by their parents for vacation; and only 2/3 of the 120 capacity, *i.e.*, 80 students, will remain in attendance for the summer. It is anticipated that

Yang Fan Academy

After-School • Summer Camp

www.yfacademy.org

6:30-6:45	32 car trips ³⁸	58 car trips ³⁹	90 car trips
6:45-7:00	32 car trips ⁴⁰	58 car trips ⁴¹	72 car trips

Parking

The proposed facility has total 150 parking spaces available for daily use. Based on the estimation concerning the traffics and transportation, there are more than sufficient parking slots to sustain both Preschool operations and modified Heritage School operations.

Furthermore, with the modified CUP for Heritage School reducing its capacity by the total number of students allotted for Preschool, the new Preschool operations will NOT increase the need or parking capacity for the site.

No commercial regular pick up or delivery services are required for our school.

Child Care License Will Be Obtained and Maintained:

A license for childcare center will be obtained and maintained for LIL Preschool at all

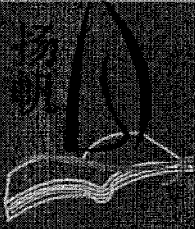
out of 80 students attending summer session, $\frac{1}{2}$ is for full time (40) and $\frac{1}{4}$ (20) will attend the morning program and the other $\frac{1}{4}$ (20) will attend the afternoon program. Therefore, there will be total 60 students attending Preschool in the morning and afternoon session, respective.

³⁸ One-half of the remaining 30 preschool students, *i.e.*, 15 students, will be picked up during this period, generating 30 inbound and outbound car trips. In addition, there will be 2 outbound car trips by the Preschool staff being relieved from the work. Anticipating that there will be 50% of the pre-school students having a sibling attending Heritage School programs, counts here include the 8 car-trips (for 7 Preschool students) by parents who are also picking up their children from Heritage School.

³⁹ During this period, $\frac{1}{3}$ of Heritage School students (*i.e.* 50 students) will be picked up. Of these 50 students, 7 students are picked by parents together with their Preschool siblings. As such, Heritage School pick up traffics do not count for 14 car trips for these 7 students. See footnote 35. Included in the Heritage School pick up traffic counts, approximately 14 students (*i.e.* one third of the remaining 43 students leaving at this time) will carpool with other students who are school age siblings or neighbors. As such, the will be total 27 vehicles coming to pick up students, generating 54 car trips. In addition, one-third of Heritage School teachers (4 teachers) will be released from work, generating 4 car trips. So total 58 car trips will be generated this hour.

⁴⁰ One-half of the remaining 30 preschool students, *i.e.*, 15 students, will be picked up during this period, generating 30 inbound and outbound car trips. In addition, there will be 2 outbound car trips by the Preschool staff being relieved from the work. Anticipating that there will be 50% of the pre-school students having a sibling attending Heritage School programs, counts here include the 8 car-trips (for 7 Preschool students) by parents who are also picking up their children from Heritage School.

⁴¹ During this period, $\frac{1}{3}$ of Heritage School students (*i.e.* 50 students) will be picked up. Of these 50 students, 7 students are picked by parents together with their Preschool siblings. As such, Heritage School pick up traffics do not count for 14 care trips for these 7 students. See footnote 37. Included in the Heritage School pick up traffic counts, approximately 14 students (*i.e.* one third of the remaining 43 students leaving at this time) will carpool with other students who are school age siblings or neighbors. As such, the will be total 27 vehicles coming to pick up students, generating 54 car trips. In addition, one-third of Heritage School teachers (4 teachers) will be released from work, generating 4 car trips. So total 58 car trips will be generated this hour.



Yang Fan Academy

After-School - Summer Camp

www.yfacademy.org

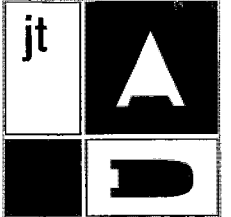
times.

Security:

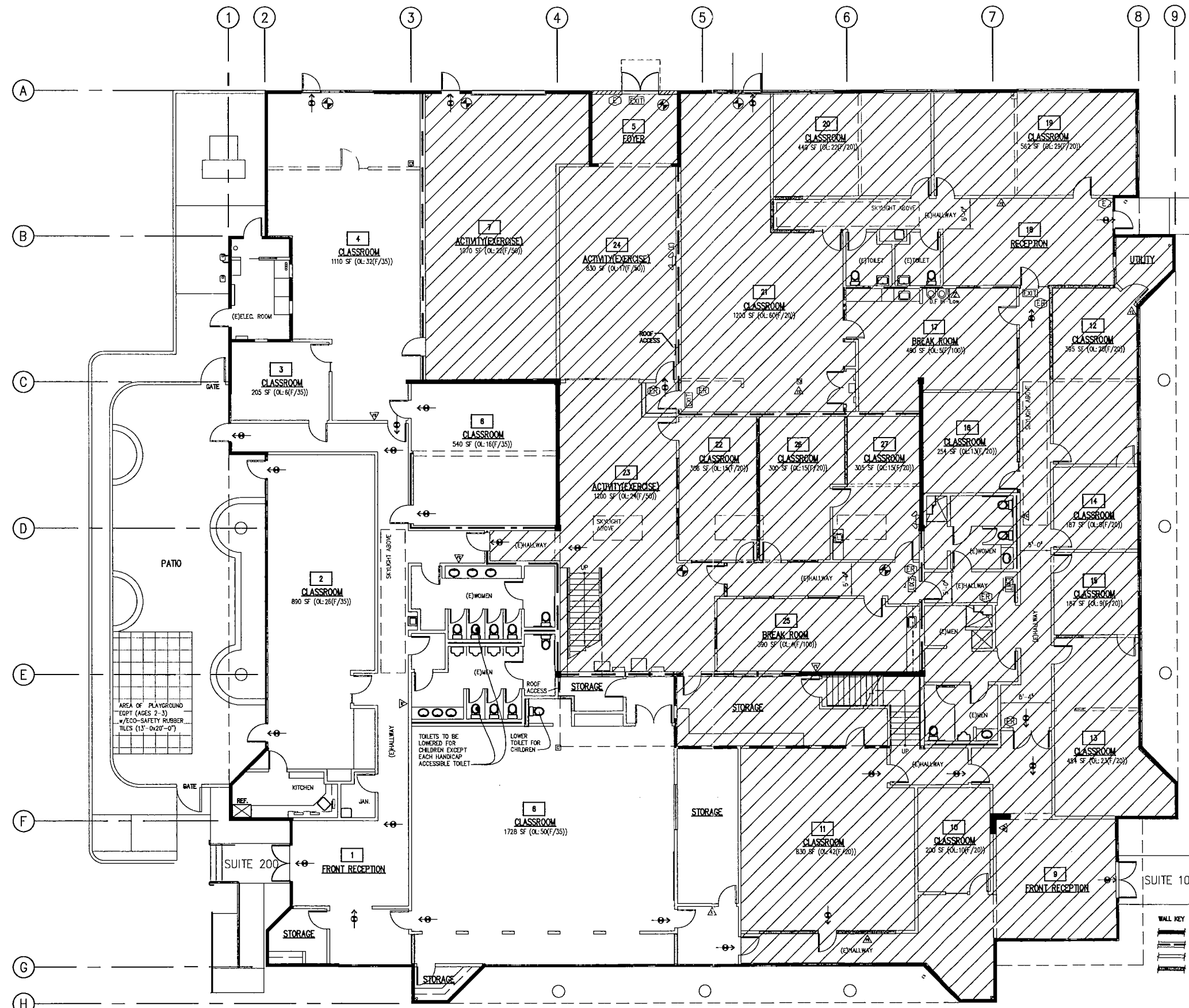
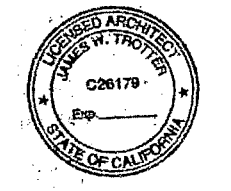
All students are required to be signed in and signed out daily in a logbook. All designated adults are verified with their driver's licenses for identification at time of pick up. All staff will go through a background check conducted by the state licensing authority.

Dated: March 18, 2012

By: _____
Jennifer Zheng



All drawings and written material herein are the original and unaltered property of James W. Trotter. This same may not be duplicated, copied, reprinted or otherwise used without the written consent of James W. Trotter. All drawings are the property of James W. Trotter and shall be returned to him upon completion of the project. All drawings must be reviewed by the client before proceeding with construction.



NOTE:
NON-HATCHED
AREA = PRESCHOOL AREA

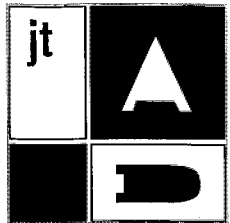
REVISIONS	No.	Description	Date
△	1	CIP PLAN REVISION	01/13/2012
△	2	REVISED SITE PLAN	03/02/2012
△	3	CIP PLAN (PRESCHOOL)	03/08/2012
△	4	CIP PLAN (HERITAGE)	03/14/2012
△	5	CIP PLAN (PRESCHOOL)	03/14/2012

PROJECT
HERITAGE SCHOOL
4160 Hacienda Drive
Pleasanton, CA 94588

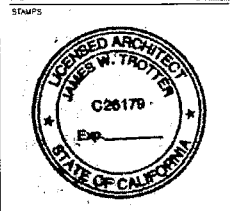
DRAWING
FLOOR PLAN

NO: 2012.01
DRAWN BY: JMT
SC: 1/8"=1'-0"
DATE: 01-11-12

1 FLOOR PLAN (MAIN LEVEL) PROJECT NORTH SCALE: 1/8"=1'-0"



All drawings and written material herein are the original and unperfected property of and all rights are reserved by Architecture + Design. The same may not be duplicated, used or disclosed without written consent. Material herein is for use by authorized consultants, bidlers and subcontractors in connection with this project only. All dimensions on these drawings shall take precedence over scaled dimensions. Consultants shall be responsible to verify all dimensions and conditions of the job. This office must be notified of any variations from the dimensions and conditions shown by site drawings. Shop drawings must be reviewed by this office before proceeding with fabrication.

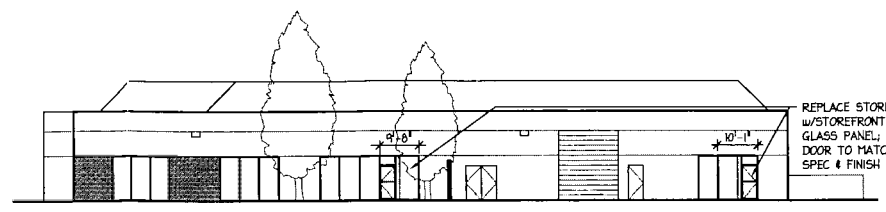


REVISIONS		
No.	Description	Date
1	CLIP PLAN REVISION	01/13/2012
2	REVISED SITE PLAN	03/07/2012
3	CLIP PLAN (PRESCHOOL)	03/08/2012
4	CLIP PLAN (HERITAGE)	03/14/2012
5	CLIP PLAN (PRESCHOOL)	03/14/2012
6		
7		
8		
9		
10		

PROJECT
HERITAGE SCHOOL
4180 Hacienda Drive
Pleasanton, CA 94568

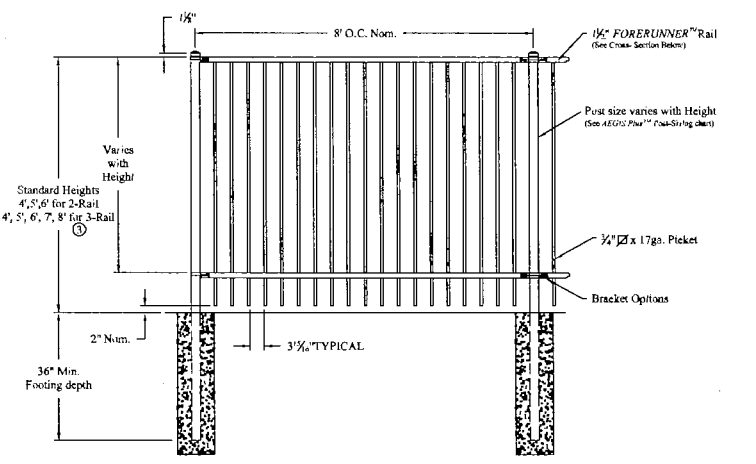
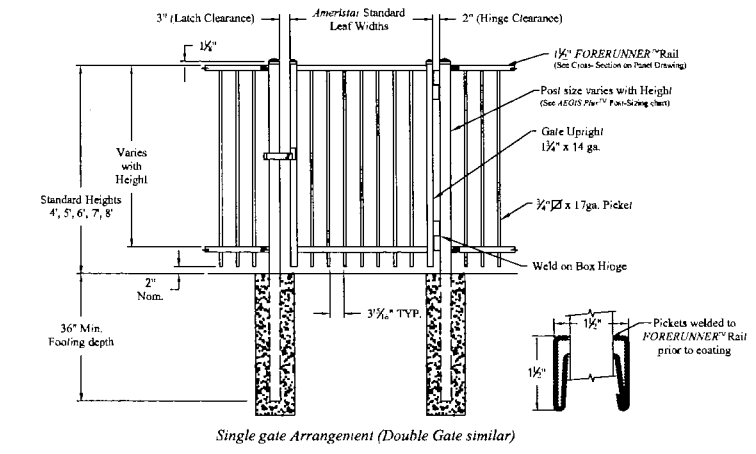
DRAWING
MEZZANINE PLAN,
SITE PLAN & SITE DTLS

NO. 2012.01
DRAWN BY: JWF
SC: AS NOTED
DATE: 01-11-12
A2

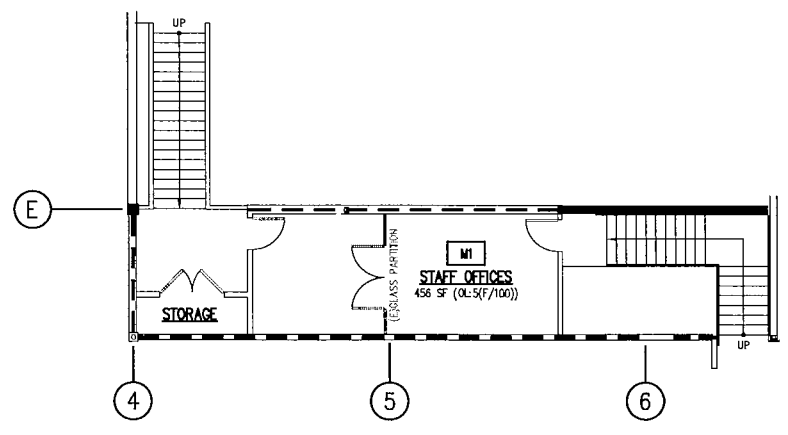


REAR EXTERIOR ELEV.
SCALE: 1/16"=1'-0"

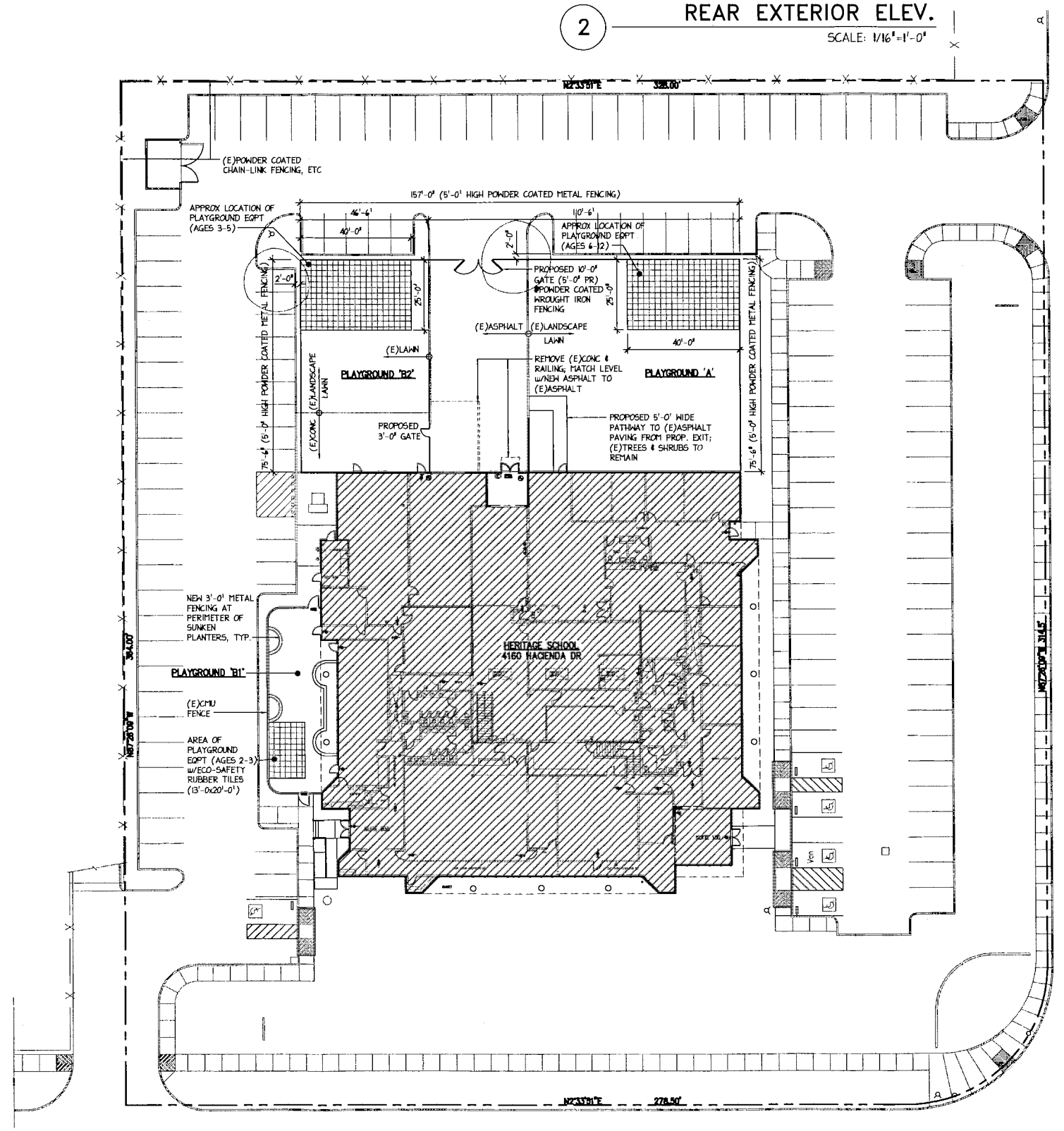
REPLACE STOREFRONT GLAZING w/STOREFRONT EXIT DOOR & GLASS PANEL; GLAZING PANEL & DOOR TO MATCH (E)GLAZING SPEC & FINISH



4 TYP FENCE DETAILS
SCALE: 1/2"=1'-0"



3 MEZZANINE PLAN
SCALE: 1/8"=1'-0"



1 SITE PLAN (MAIN LEVEL)
SCALE: 3/64"=1'-0"

