

RECEIVED

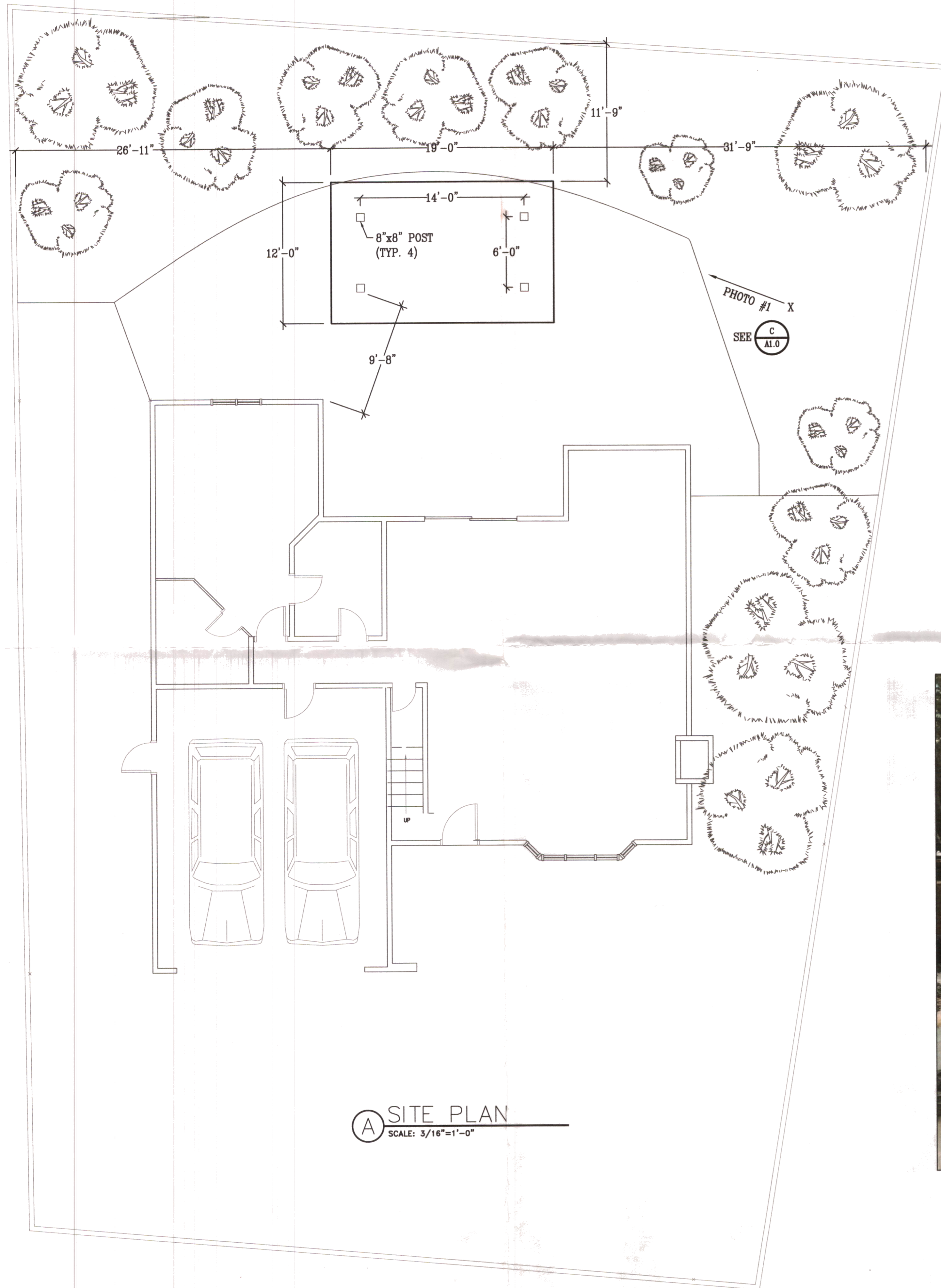
JAN 30 2017

CITY OF PLEASANTON
PLANNING DIVISION

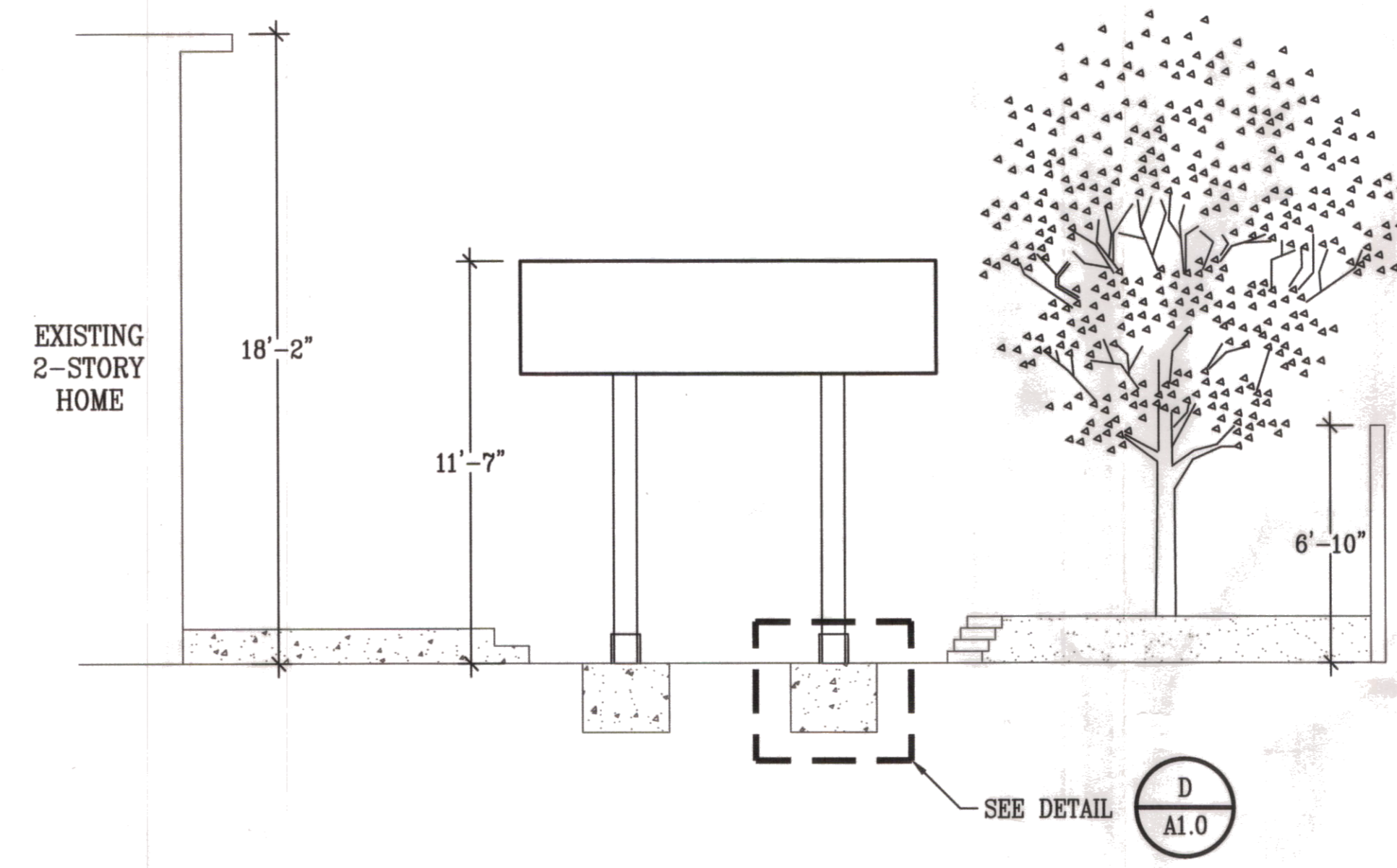
EXHIBIT B

P17-0054

PLANNING REVIEW	NO	DATE	2/1/2017
REVISION			



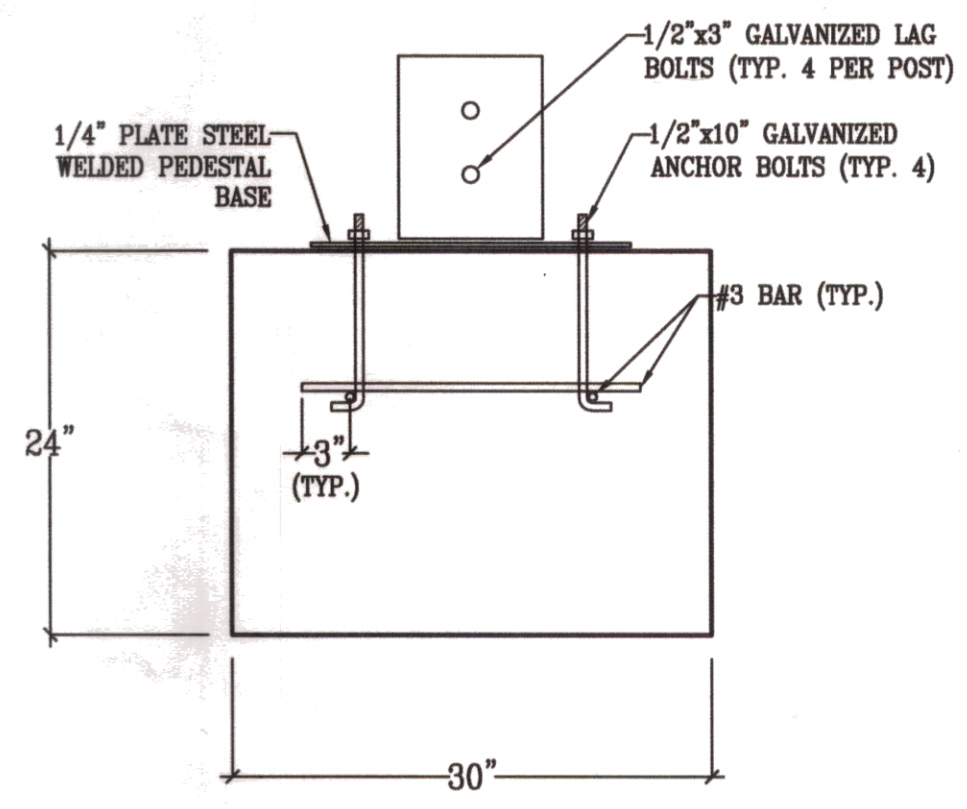
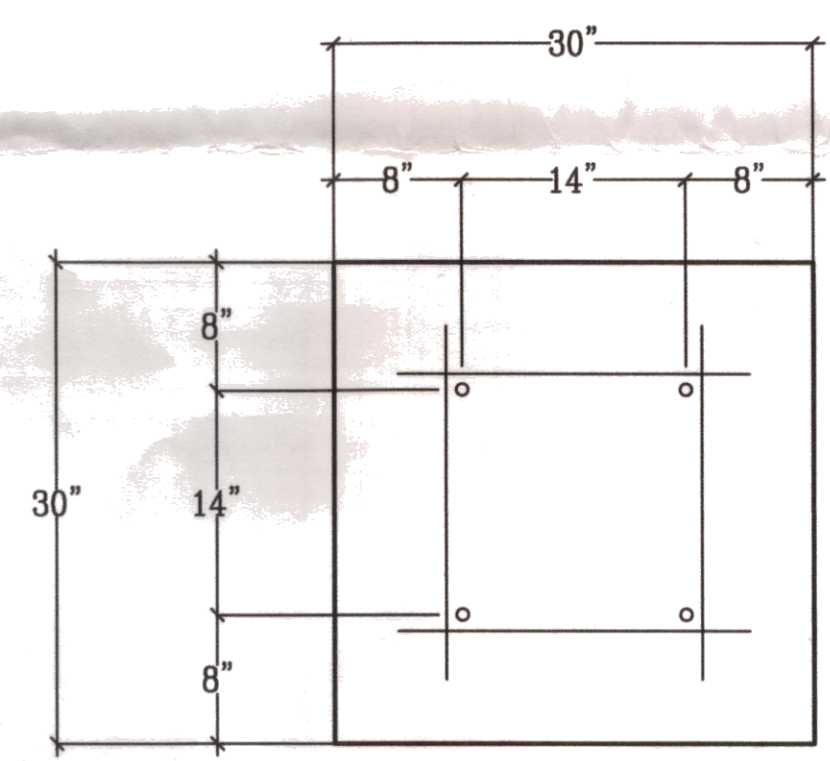
A SITE PLAN
SCALE: 3/16"=1'-0"



B SECTION VIEW
SCALE: 1/4"=1'-0"



C PHOTO #1
SCALE: NONE



D FOUNDATION DETAIL
SCALE: 1"=1'-0"

CREIGHTON RESIDENCE PATIO COVER
989 CRELLIN ROAD
PLEASANTON, CA 94566

JOB NO.	-
SCALE:	AS NOTED
DRAWN BY:	NR
DATE:	2/1/2017
ENGIN. BY:	-
SHEET NO:	A1.0

- OF - SHEETS