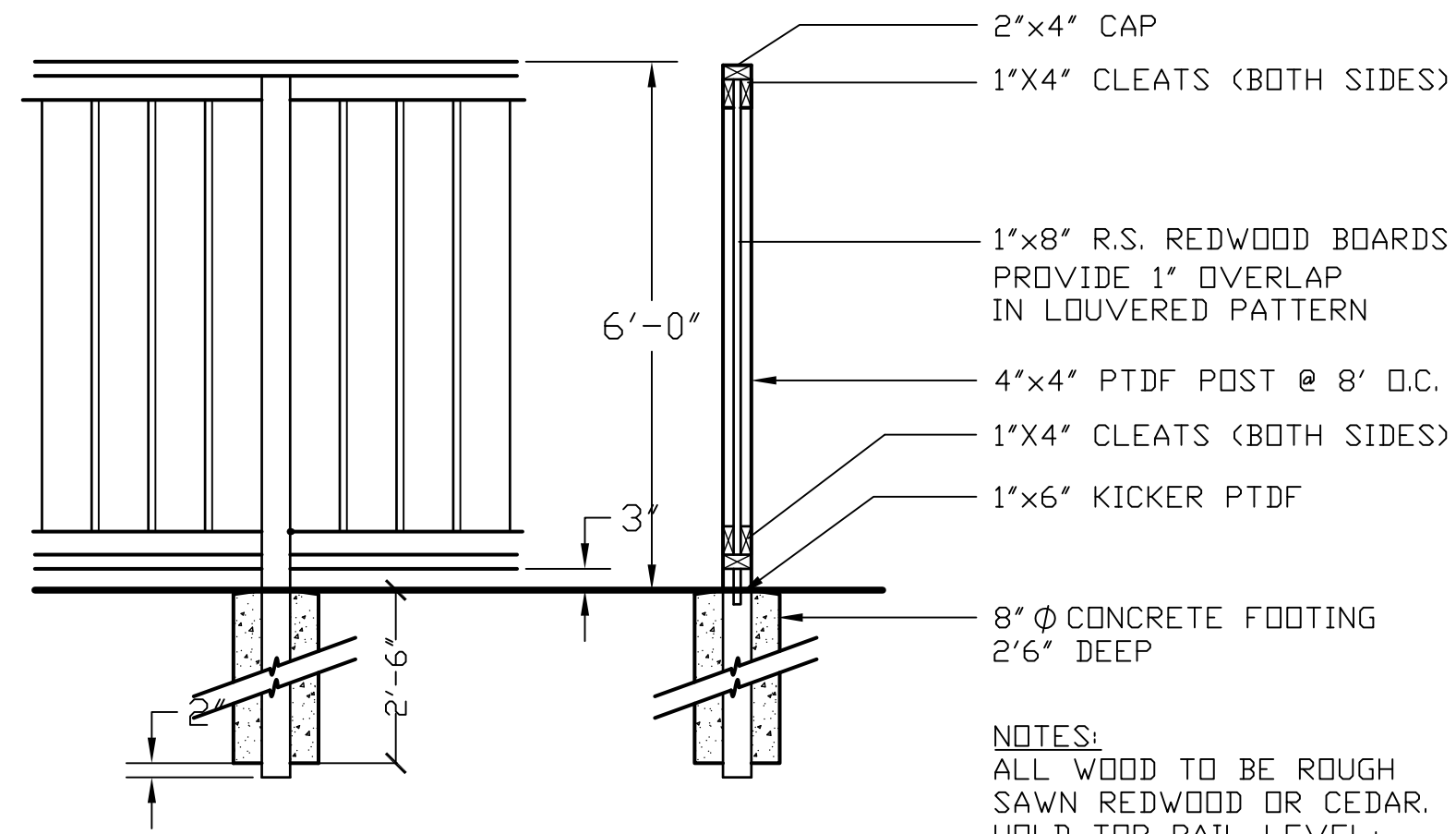


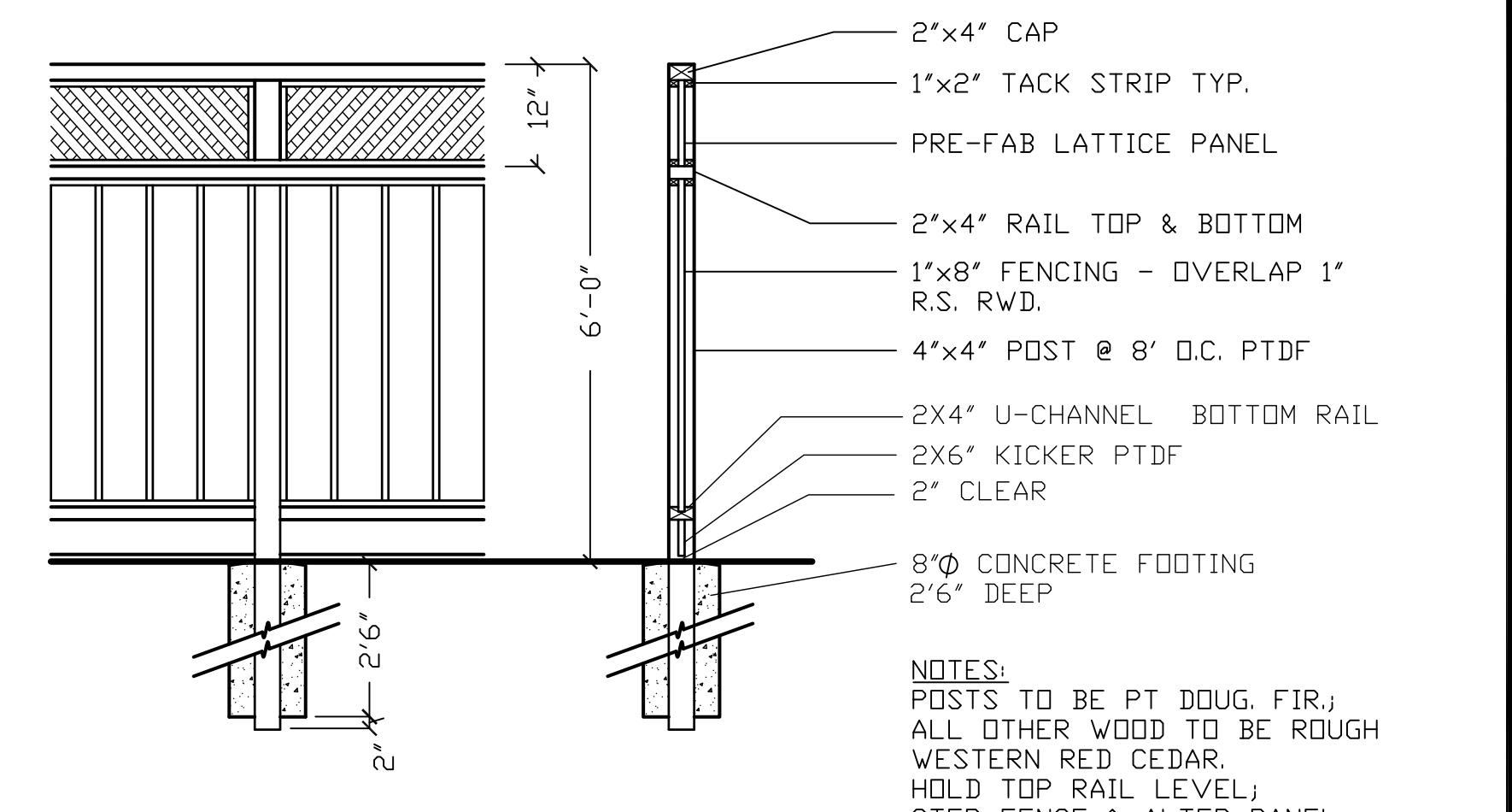
NOTES:
 ALL WOOD TO BE ROUGH
 SAWN REDWOOD UNLESS NOTED.
 HOLD TOP RAIL LEVEL;
 STEP FENCE & ALTER PANEL
 WIDTH AS NECESSARY TO
 CONFORM TO GRADES.

1 WIRE MESH FENCE DETAIL



NOTES:
 ALL WOOD TO BE ROUGH
 SAWN REDWOOD OR CEDAR.
 HOLD TOP RAIL LEVEL;
 STEP FENCE & ALTER PANEL
 WIDTH AS NECESSARY TO
 CONFORM TO GRADES.

2 SOLID WOOD FENCE DETAIL



NOTES:
 POSTS TO BE PT DOUG. FIR;
 ALL OTHER WOOD TO BE ROUGH
 WESTERN RED CEDAR.
 HOLD TOP RAIL LEVEL;
 STEP FENCE & ALTER PANEL
 WIDTH AS NECESSARY TO
 CONFORM TO GRADES.
 ALL HARDWARE TO BE HOT DIP GALV.

3 LATTICE TOP FENCE

NOT TO SCALE

REVISIONS

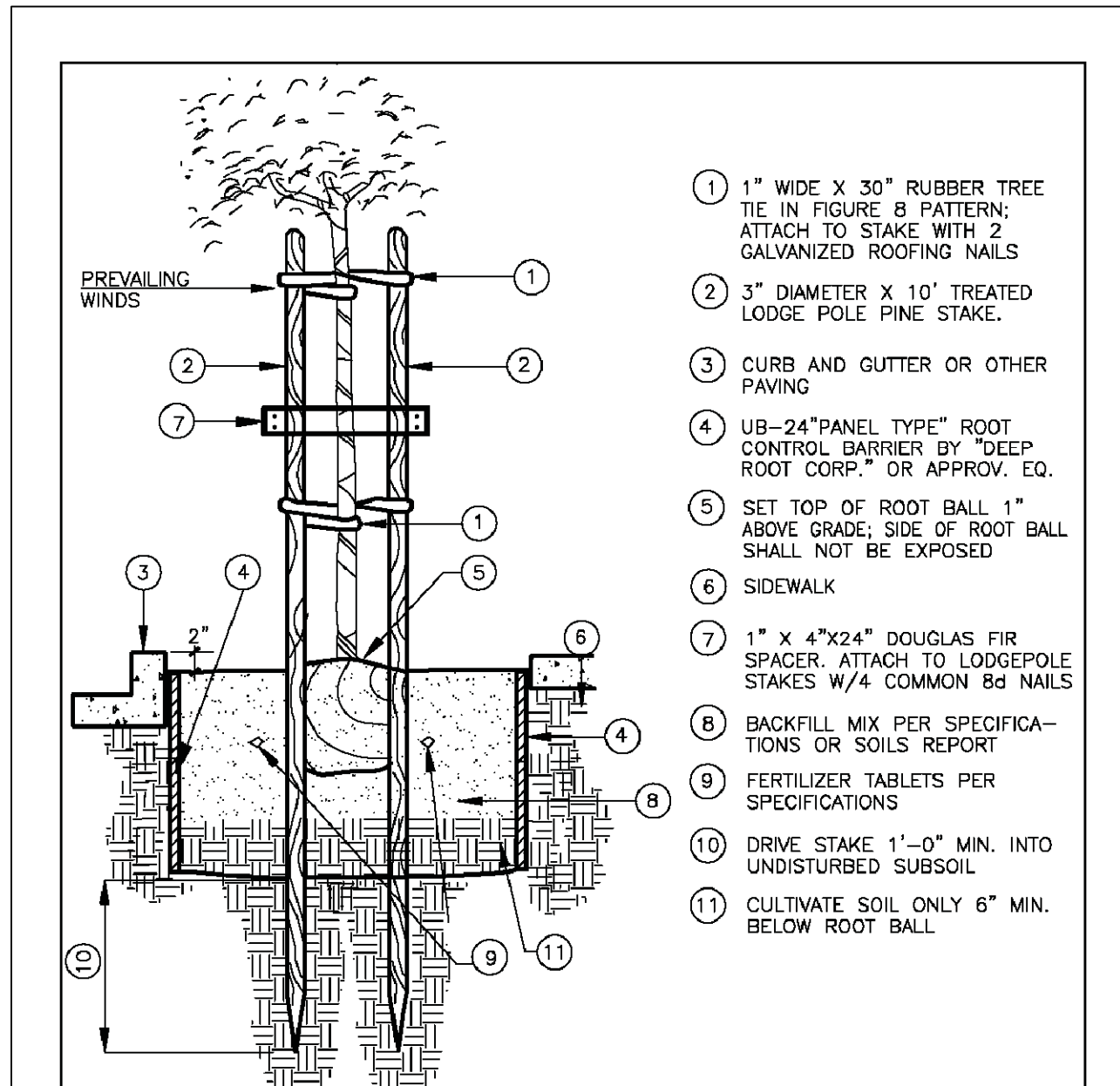
Thomas Baak & Associates, LLP
 Landscape Architects
 1620 North Main Street, Suite 4
 Walnut Creek, CA 94596
 Ph: 925.933.2583

ROSELYN ESTATES II
 PLEASANTON, CALIFORNIA
 LYNDEN HOMES

FENCING, STREET
 TREE DETAILS

DESIGNED: AS DRAWN: AS
 CHECKED: AN JOB NO:
 DATE
 02-27-12
 SCALE
 NOTED

SHEET
 L.2
 OF 4 SHEETS



- 1 1" WIDE X 30" RUBBER TREE TIE IN FIGURE 8 PATTERN; ATTACH TO STAKE WITH 2 GALVANIZED ROOFING NAILS
- 2 3" DIAMETER X 10' TREATED LODGE POLE PINE STAKE.
- 3 CURB AND GUTTER OR OTHER PAVING
- 4 UB-24 "PANEL TYPE" ROOT CONTROL BARRIER BY "DEEP ROOT CORP." OR APPROV. EQ.
- 5 SET TOP OF ROOT BALL 1" ABOVE GRADE; SIDE OF ROOT BALL SHALL NOT BE EXPOSED
- 6 SIDEWALK
- 7 1" X 4"x24" DOUGLAS FIR SPACER; ATTACH TO LODGEPOLE STAKES W/4 COMMON 8d NAILS
- 8 BACKFILL MIX PER SPECIFICATIONS OR SOILS REPORT
- 9 FERTILIZER TABLETS PER SPECIFICATIONS
- 10 DRIVE STAKE 1'-0" MIN. INTO UNDISTURBED SUBSOIL
- 11 CULTIVATE SOIL ONLY 6" MIN. BELOW ROOT BALL

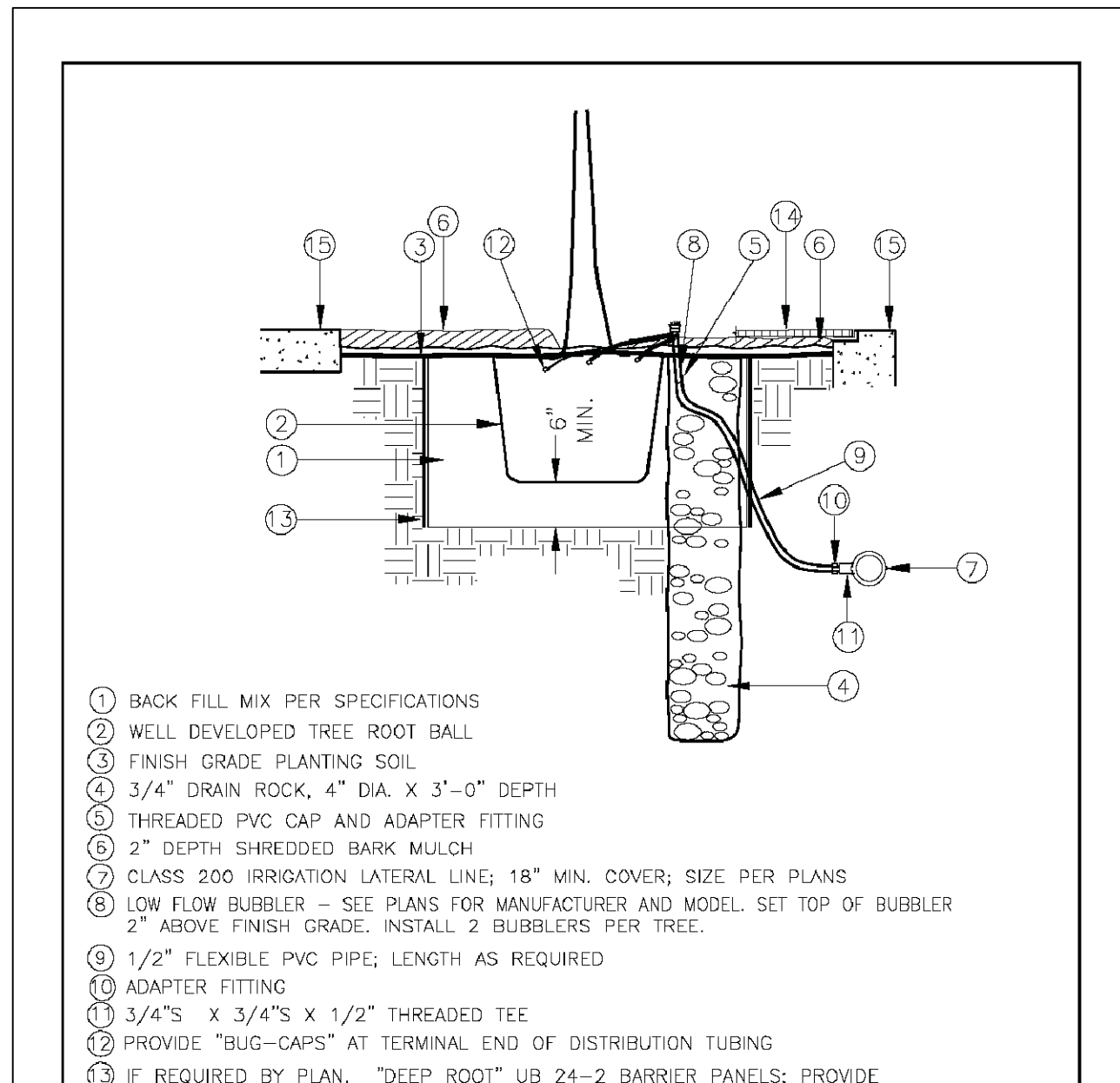
NOTE:
 1. STAKES SHALL BE PLUMBED AND SHALL RETURN TO UPRIGHT AFTER 50 POUND DEFLECTION.

CITY OF PLEASANTON
 STANDARD DETAILS
 LANDSCAPE
 ROOT BARRIER DETAIL

DATE: 1/11 DWG NO. 8089

DRAWN BY: STAFF
 CHECKED BY: AN
 SCALE: N.T.S.

TREE PLANTING DETAILS FOR CITY STREET TREES ONLY. SEE SHEET L.4 FOR TREE PLANTING DETAILS FOR TREES ON INDIVIDUAL LOTS



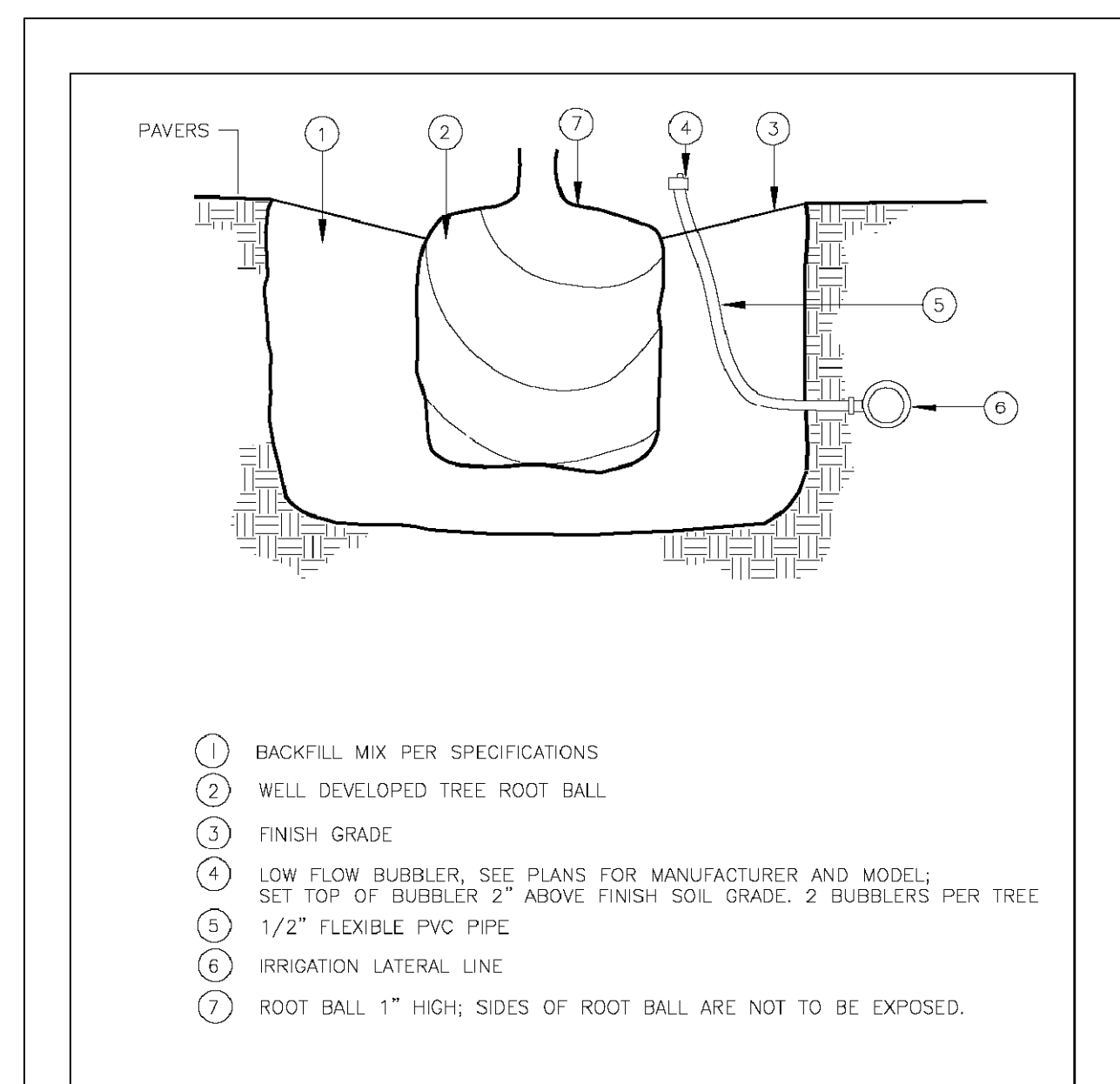
- 1 BACK FILL MIX PER SPECIFICATIONS
- 2 WELL DEVELOPED TREE ROOT BALL
- 3 FINISH GRADE PLANTING SOIL
- 4 3/4" DRAIN ROCK, 4" DIA. X 3'-0" DEPTH
- 5 THREADED PVC CAP AND ADAPTER FITTING
- 6 2" DEPTH SHREDDED BARK MULCH
- 7 CLASS 200 IRRIGATION LATERAL LINE; 1/2" MIN. COVER; SIZE PER PLANS
- 8 LOW FLOW BUBBLER - SEE PLANS FOR MANUFACTURER AND MODEL. SET TOP OF BUBBLER 2" ABOVE FINISH GRADE. INSTALL 2 BUBBLERS PER TREE.
- 9 1/2" FLEXIBLE PVC PIPE; LENGTH AS REQUIRED
- 10 ADAPTER FITTING
- 11 3/4" X 3/4" X 1/2" THREADED TEE
- 12 PROVIDE "BUG-CAPS" AT TERMINAL END OF DISTRIBUTION TUBING
- 13 IF REQUIRED BY PLAN, "DEEP ROOT" UB 24-2 BARRIER PANELS; PROVIDE 7 PANELS PER 24" BOX TREE; 5 PER 15 GALLON TREE
- 14 TREE GRATE, IF REQUIRED
- 15 ADJACENT CONCRETE PAVING

CITY OF PLEASANTON
 STANDARD DETAILS
 LANDSCAPE
 STREET TREE PLANTING & IRRIGATION DETAIL

DATE: 1/11 DWG NO. 822

DRAWN BY: STAFF
 CHECKED BY: AN
 SCALE: N.T.S.

TREE PLANTING DETAILS FOR CITY STREET TREES ONLY. SEE SHEET L.4 FOR TREE PLANTING DETAILS FOR TREES ON INDIVIDUAL LOTS



- 1 BACKFILL MIX PER SPECIFICATIONS
- 2 WELL DEVELOPED TREE ROOT BALL
- 3 FINISH GRADE
- 4 LOW FLOW BUBBLER; SEE PLANS FOR MANUFACTURER AND MODEL; SET TOP OF BUBBLER 2" ABOVE FINISH SOIL GRADE. 2 BUBBLERS PER TREE
- 5 1/2" FLEXIBLE PVC PIPE
- 6 IRRIGATION LATERAL LINE
- 7 ROOT BALL 1" HIGH; SIDES OF ROOT BALL ARE NOT TO BE EXPOSED.

NOTE:
 REFER ALSO TO STANDARD DETAIL #808A, TREE PLANTING DETAIL.

CITY OF PLEASANTON
 STANDARD DETAILS
 LANDSCAPE
 STREET TREE BUBBLER DETAIL

DATE: 1/11 DWG NO. 819

DRAWN BY: STAFF
 CHECKED BY: AN
 SCALE: N.T.S.

TREE PLANTING DETAILS FOR CITY STREET TREES ONLY. SEE SHEET L.4 FOR TREE PLANTING DETAILS FOR TREES ON INDIVIDUAL LOTS